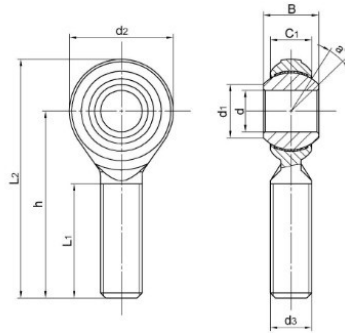


SPOS..EC Series



select	Inquiry	Bearing Designation	Dimensions mm										Load Rating (KN)		Weight ≈Kg
			d H7	B	C1	d1	d2	d3-6g	h	L1	L2	Ball Diameter	Dynamic Load	Static load	
SPOS5EC	5	8	6	7.7	16	M5	33	20	41	11.11	3.3	4.8	0.012		
SPOS6EC	6	9	6.75	8.9	18	M6	36	22	45	12.7	4.7	6.8	0.019		
SPOS8EC	8	12	9	10.3	22	M8	42	25	53	15.87	7.7	12.3	0.032		
SPOS10EC	10	14	10.5	12.9	26	M10	48	29	61	19.05	10.4	17.3	0.054		
SPOS12EC	12	16	12	15.4	30	M12	54	33	69	22.22	13.5	22.7	0.085		
SPOS14EC	14	19	13.5	16.8	34	M14	60	36	77	25.4	17.2	28.2	0.126		
SPOS16EC	16	21	15	19.3	38	M16	66	40	85	28.58	21	35.1	0.185		
SPOS18EC	18	23	16.5	21.8	42	M18X1.5	72	44	93	31.75	25	43.2	0.26		
SPOS20EC	20	25	18	24.3	46	M20x1.5	78	47	101	34.92	29.8	50.3	0.34		
SPOS22EC	22	28	20	25.8	50	M22X1.5	84	51	109	38.1	36.2	63.9	0.435		