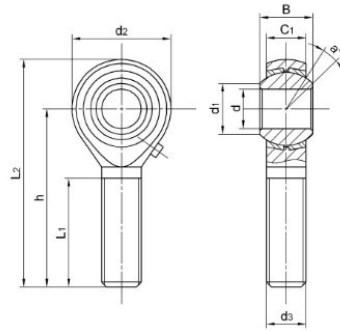


# SPOS Series



select	Inquiry	Bearing Designation	Dimensions mm									Ball Diameter	Load Rating (KN)		Weight ≈Kg
			d	H7	B	C1	d1	d2	d3-6g	h	L1		L2	Dynamic Load	
SPOS5	5	8	6	7.7	16	M5	33	20	41	11.11	2.5	3.5	0.012		
SPOS6	6	9	6.75	8.9	18	M6	36	22	45	12.7	3.2	4.8	0.019		
SPOS8	8	12	9	10.3	22	M8	42	25	53	15.87	5.4	8.9	0.032		
SPOS10	10	14	10.5	12.9	26	M10	48	29	61	19.05	7.5	12.5	0.054		
SPOS12	12	16	12	15.4	30	M12	54	33	69	22.22	10	15.8	0.085		
SPOS14	14	19	13.5	16.8	34	M14	60	36	77	25.4	13	22.1	0.126		
SPOS15	15	20	14	18.1	36	M14	63	38	81	26.98	14.5	23.6	0.186		
SPOS16	16	21	15	19.3	38	M16	66	40	85	28.58	16	25.9	0.185		
SPOS17	17	22	16	20.6	40	M16x1.5	69	42	89	30.16	18	28.4	0.259		
SPOS18	18	23	16.5	21.8	42	M18X1.5	72	44	93	31.75	19.5	30.8	0.26		
SPOS20	20	25	18	24.3	46	M20X1.5	78	47	101	34.925	23	36.2	0.34		
SPOS22	22	28	20	25.8	50	M22X1.5	84	51	109	38.1	29	42.6	0.435		
SPOS25	25	31	22	29.5	60	M24x2	94	57	124	42.86	40.5	74.4	0.65		
SPOS28	28	35	24	32.29	66	M27x2	103	62	136	47.63	46.1	88.7	0.875		
SPOS30	30	37	25	34.8	70	M30x2	110	66	145	50.8	54.3	94	1.07		