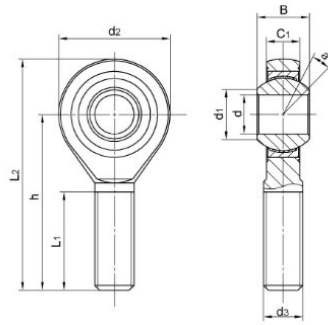


SCOS Series



select	Inquiry	Bearing Designation	Dimensions mm										Load Rating (KN)		Weight ≈Kg
			d H7	B	C1	d1	d2	d3-6g	h	L1	L2	Ball Diameter	Dynamic Load	Static load	
SCOS5	5	8	6	7.7	18	M5	33	19	42	11.11	3.2	4.3	0.013		
SCOS6	6	9	6.75	8.9	20	M6	36	21	46	12.7	4.2	6	0.02		
SCOS8	8	12	9	10.3	24	M8	42	25	54	15.87	7.1	11	0.038		
SCOS10	10	14	10.5	12.9	28	M10	48	28	63	19.05	9.8	17.4	0.055		
SCOS12	12	16	12	15.4	32	M12	54	32	71	22.22	13.2	23.5	0.085		
SCOS14	14	19	13.5	16.8	36	M14	60	36	79	25.4	17	28	0.14		
SCOS16	16	21	15	19.3	42	M16	66	37	87	28.58	21.4	32	0.21		
SCOS18	18	23	16.5	21.8	46	M18x1.5	72	41	95	31.75	26	42.5	0.28		
SCOS20	20	25	18	24.3	50	M20x1.5	78	45	103	34.92	31	47.5	0.38		
SCOS22	22	28	20	25.8	54	M22x1.5	84	48	112	38.1	42.2	57	0.48		
SCOS25	25	31	22	29.5	60	M24x2	94	55	124	42.86	52.7	68	0.64		
SCOS28	28	35	25	32.29	66	M27x2	103	62	136	47.63	58.8	79	0.949		
SCOS30	30	37	25	34.8	70	M30x2	110	66	145	50.8	70.7	88	1.1		