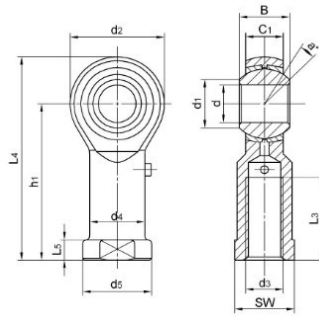


SPHS Series



select	Inquiry	Bearing Designation	Dimensions mm											Ball Diameter	Load Rating (KN)		Weight ≈Kg	
			d H7	B	C1	d1	d2	d3-6H	h1	L3	(L4)	L5	d4		d5	sw		Dynamic Load
SPHS5	5	8	6	7.7	16	M5	27	11	35	4	11	9	11.11	13	2.5	6.6	0.016	
SPHS6	6	9	6.75	8.9	18	M6	30	13	39	5	13	11	12.7	13	3.2	8.1	0.025	
SPHS8	8	12	9	10.3	22	M8	36	16	47	5	16	14	15.87	14	5.4	12.6	0.043	
SPHS10	10	14	10.5	12.9	26	M10	43	20	56	6.5	19	17	19.05	13	7.5	16.6	0.072	
SPHS12	12	16	12	15.4	30	M12	50	23	65	6.5	22	19	22.22	13	10	22	0.107	
SPHS14	14	19	13.5	16.8	34	M14	57	27	74	8	25	22	25.4	16	13	27.8	0.16	
SPHS15	15	20	14	18.1	36	M14	61	30	79	8	26	22	26.98	16	14.5	29	0.186	
SPHS16	16	21	15	19.3	38	M16	64	32	83	8	27	22	28.58	15	16	34.5	0.21	
SPHS17	17	22	16	20.6	40	M16X1.5	67	34	87	10	31	27	30.16	14	18	36	0.259	
SPHS18	18	23	16.5	21.8	42	M18X1.5	71	35	92	10	31	27	31.75	15	19.5	40.8	0.295	
SPHS20	20	25	18	24.3	46	M20X1.5	77	39	100	10	34	30	34.92	14	23	46.5	0.38	
SPHS22	22	28	20	25.8	50	M22x1.5	84	42	109	12	37	32	38.1	15	29	52.6	0.49	
SPHS25	25	31	22	29.5	60	M24x2	94	48	124	12	42	36	42.86	15	40.5	74.1	0.75	
SPHS28	28	35	24	32.29	66	M27x2	103	53	136	12	46	41	47.63	15	46.1	88.7	0.95	
SPHS30	30	37	25	34.8	70	M30x2	110	56	145	15	50	41	50.8	17	54.3	94	1.13	