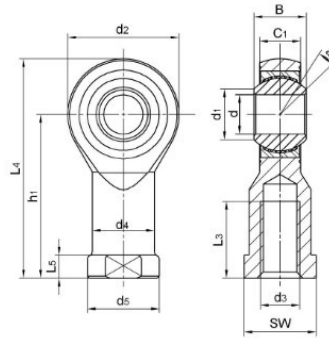


# SCHS Series



select	Inquiry	Bearing Designation	Dimensions mm											Ball Diameter	Load Rating (KN)		Weight ≈Kg	
			d H7	B	C1	d1	d2	d3-6H	h1	L3	(L4)	L5	d4		d5	sw		Dynamic Load
SCHS5	5	8	6	7.7	18	M5	27	10	36	4	11	9	11.11	13	3.2	8	0.016	
SCHS6	6	9	6.75	8.9	20	M6	30	13	40	5	13	11	12.7	13	4.2	8.9	0.022	
SCHS8	8	12	9	10.3	24	M8	36	16	48	5	16	13	15.87	14	7.1	14.1	0.047	
SCHS10	10	14	10.5	12.9	28	M10	43	20	57	6.5	19	17	19.05	13	9.8	19.3	0.077	
SCHS12	12	16	12	15.4	32	M12	50	22	66	6.5	22	19	22.22	13	13.2	23.5	0.1	
SCHS14	14	19	13.5	16.8	36	M14	57	25	75	8	25	22	25.4	16	17	28	0.16	
SCHS16	16	21	15	19.3	42	M16	64	28	85	8	27	22	28.58	15	21.4	32	0.22	
SCHS18	18	23	16.5	21.8	46	M18X1.5	71	32	94	10	31	27	31.75	15	26	42.5	0.32	
SCHS20	20	25	18	24.3	50	M20X1.5	77	33	102	10	34	30	34.92	14	31	47.5	0.42	
SCHS22	22	28	20	25.8	54	M22X1.5	84	37	111	12	37	32	38.1	15	42.2	57	0.54	
SCHS25	25	31	22	29.5	60	M24x2	94	42	124	12	42	36	42.86	15	52.7	68	0.73	
SCHS28	28	35	24	32.29	66	M27x2	103	44	136	12	46	41	47.63	15	58.8	79	0.949	
SCHS30	30	37	25	34.8	70	M30x2	110	51	145	15	50	41	50.8	17	70.7	88	1.1	