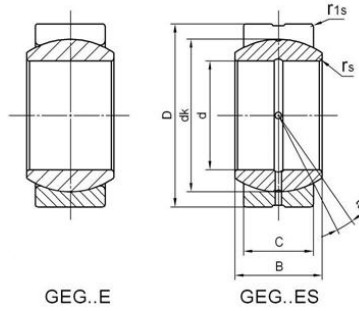


GEG..E Series



select	Inquiry	Bearing Designation	Dimensions(mm)							Load Rating(KN)		Weight ≈Kg
			d	D	B	c	dk	rs	r1s min	Dynamic Load	Static Load	
SSGEG4E	4	14	7	4	10	0.3	0.3	3.4	17	20		
SSGEG5E	5	16	9	5	13	0.3	0.3	5.5	27	21		
SSGEG6E	6	16	9	5	13	0.3	0.3	5.5	27	21		
SSGEG8E	8	19	11	6	16	0.3	0.3	8.1	40	21		
SSGEG10E	10	22	12	7	18	0.3	0.3	10	53	18		
SSGEG12E	12	26	15	9	22	0.3	0.3	16	84	18		