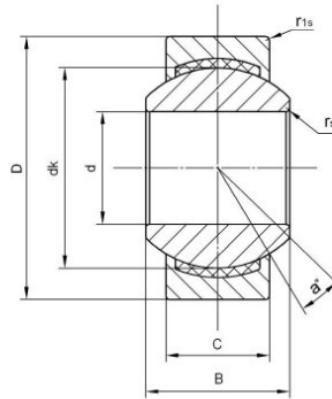


GEG..C Series



select	Inquiry	Bearing Designation	Dimensions(mm)							Load Rating(KN)		Weight ≈Kg
			d	D	B	c	dk	rs	r1s min	Dynamic Load	Static Load	
GEG4C	4	14	7	4	10	0.3	0.3	3.6	9.1	20		
GEG5C	5	16	9	5	13	0.3	0.3	5.8	14	21		
GEG6C	6	16	9	5	13	0.3	0.3	5.8	14	21		
GEG8C	8	19	11	6	16	0.3	0.3	8.6	21	21		
GEG10C	10	22	12	7	18	0.3	0.3	11	28	18		
GEG12C	12	26	15	9	22	0.3	0.3	18	45	18		
GEG15C	15	30	16	10	25	0.3	0.3	22	56	16		
GEG17C	17	35	20	12	29	0.3	0.3	31	78	19		
GEG20C	20	42	25	16	35.5	0.3	0.3	51	127	17		
GEG25C	25	47	28	18	40.7	0.6	0.6	65	166	17		
GEG30C	30	55	32	20	47	0.6	0.6	83	212	17		