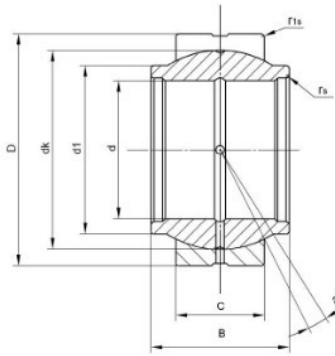


GEEW.ES Series



| select | Inquiry | Bearing Designation | Dimensions(mm) | | | | | | | Load Rating(KN) | | Weight ≈Kg |
|-----------|---------|---------------------|----------------|----|------|-----|-----|------|------------|-----------------|-------------|---------------|
| | | | d | D | B | c | dk | rs | r1s min | Dynamic Load | Static Load | |
| GEEW12ES | 12 | 22 | 12 | 7 | 18 | 0.3 | 0.3 | 10 | 53 | 0.022 | | |
| GEEW15ES | 15 | 26 | 15 | 9 | 22 | 0.3 | 0.3 | 16 | 84 | 0.031 | | |
| GEEW16ES | 16 | 28 | 16 | 9 | 23 | 0.3 | 0.3 | 17 | 85 | 0.035 | | |
| GEEW17ES | 17 | 30 | 17 | 10 | 25 | 0.3 | 0.3 | 21 | 106 | 0.044 | | |
| GEEW20ES | 20 | 35 | 20 | 12 | 29 | 0.3 | 0.3 | 30 | 146 | 0.071 | | |
| GEEW25ES | 25 | 42 | 25 | 16 | 35.5 | 0.6 | 0.6 | 48 | 240 | 0.131 | | |
| GEEW30ES | 30 | 47 | 30 | 18 | 40.7 | 0.6 | 0.6 | 62 | 310 | 0.168 | | |
| GEEW32ES | 32 | 52 | 32 | 18 | 43 | 0.6 | 1 | 65 | 328 | 0.182 | | |
| GEEW35ES | 35 | 55 | 35 | 20 | 47 | 0.6 | 1 | 79 | 399 | 0.253 | | |
| GEEW40ES | 40 | 62 | 40 | 22 | 53 | 0.6 | 1 | 99 | 495 | 0.338 | | |
| GEEW45ES | 45 | 68 | 45 | 25 | 60 | 0.6 | 1 | 127 | 637 | 0.481 | | |
| GEEW50ES | 50 | 75 | 50 | 28 | 66 | 0.6 | 1 | 156 | 780 | 0.558 | | |
| GEEW60ES | 60 | 90 | 60 | 36 | 80 | 1 | 1 | 245 | 1220 | 1.15 | | |
| GEEW63ES | 63 | 95 | 63 | 36 | 83 | 1 | 1 | 253 | 1260 | 1.25 | | |
| GEEW70ES | 70 | 105 | 70 | 40 | 92 | 1 | 1 | 313 | 1560 | 1.71 | | |
| GEEW80ES | 80 | 120 | 80 | 45 | 105 | 1 | 1 | 400 | 2000 | 2.39 | | |
| GEEW90ES | 90 | 130 | 90 | 50 | 115 | 1 | 1 | 488 | 2440 | 3.21 | | |
| GEEW100ES | 100 | 150 | 100 | 55 | 130 | 1 | 1 | 607 | 3030 | 4.79 | | |
| GEEW110ES | 110 | 160 | 110 | 55 | 140 | 1 | 1 | 654 | 3270 | 5.78 | | |
| GEEW125ES | 125 | 180 | 125 | 70 | 160 | 1 | 1 | 950 | 4750 | 8.49 | | |
| GEEW160ES | 160 | 230 | 160 | 80 | 200 | 1 | 1 | 1360 | 6800 | 16.5 | | |

GEEW.ES Series

| | | | | | | | | | | |
|-----------|-----|-----|-----|-----|-----|-----|-----|------|-------|------|
| GEEW200ES | 200 | 290 | 200 | 100 | 250 | 1.1 | 1.1 | 2120 | 10600 | 32.1 |
| GEEW250ES | 250 | 400 | 250 | 120 | 350 | 1.1 | 1.1 | 3750 | 17800 | 99.1 |
| GEEW320ES | 320 | 520 | 320 | 160 | 450 | 1.1 | 1.1 | 6200 | 30500 | 22.5 |