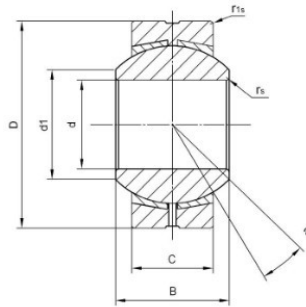


GEBK..S Series



select	Inquiry	Bearing Designation	Dimensions(mm)							Load Rating(KN)		Weight ≈Kg
			d	D	B	c	dk	rs	r1s min	Dynamic Load	Static Load	
GEBK5S	5	16	8	6	11.112	0.3	0.3	3.3	7.8	13		
GEBK6S	6	18	9	6.75	12.7	0.3	0.3	4.3	9.8	13		
GEBK8S	8	22	12	9	15.88	0.3	0.3	6.8	16	14		
GEBK10S	10	26	14	10.5	19.05	0.3	0.6	10	23	14		
GEBK12S	12	30	16	12	22.23	0.3	0.6	13	31	13		
GEBK14S	14	34	19	13.5	25.4	0.3	0.6	17	40	16		
GEBK16S	16	38	21	15	28.58	0.3	0.6	21	50	15		
GEBK18S	18	42	23	16.5	31.75	0.6	0.6	26	61	15		
GEBK20S	20	46	25	18	34.93	0.6	0.6	31	73	15		
GEBK22S	22	50	28	20	38.1	0.6	0.6	38	88	15		
GEBK25S	25	56	31	22	42.86	0.6	0.6	47	110	15		
GEBK28S	28	62	35	25	47.63	0.6	0.6	59	138	15		
GEBK30S	30	66	37	25	50.8	0.6	0.6	63	148	17		