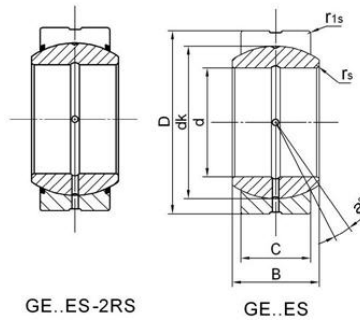


## GE..ES-2RS Series



select	Inquiry	Bearing Designation	Dimensions(mm)							Load Rating(KN)		Weight ≈Kg
			d	D	B	c	dk	rs	r1s min	Dynamic Load	Static Load	
SSGE15ES-2RS	15	26	12	9	22	0.3	0.3	16	84	8		
SSGE17ES-2RS	17	30	14	10	25	0.3	0.3	21	106	10		
SSGE20ES-2RS	20	35	16	12	29	0.3	0.3	30	146	9		
SSGE25ES-2RS	25	42	20	16	35.5	0.6	0.6	48	240	7		
SSGE30ES-2RS	30	47	22	18	40.7	0.6	0.6	62	310	6		
SSGE35ES-2RS	35	55	25	20	47	0.6	1	79	399	6		
SSGE40ES-2RS	40	62	28	22	53	0.6	1	99	495	7		
SSGE45ES-2RS	45	68	32	25	60	0.6	1	127	637	7		
SSGE50ES-2RS	50	75	35	28	66	0.6	1	156	780	6		
SSGE55ES-2RS	55	85	40	32	74	0.6	1	200	1000	7		
SSGE60ES-2RS	60	90	44	36	80	1	1	245	1220	6		
SSGE70ES-2RS	70	105	49	40	92	1	1	313	1560	6		
SSGE80ES-2RS	80	120	55	45	105	1	1	400	2000	6		
SSGE90ES-2RS	90	130	60	50	115	1	1	488	2440	5		
SSGE100ES-2RS	100	150	70	55	130	1	1	607	3030	7		
SSGE110ES-2RS	110	160	70	55	140	1	1	654	3270	6		
SSGE120ES-2RS	120	180	85	70	160	1	1	950	4750	6		
SSGE140ES-2RS	140	210	90	70	180	1	1	1070	5350	7		
SSGE160ES-2RS	160	230	105	80	200	1	1	1360	6800	8		
SSGE180ES-2RS	180	260	105	80	225	1.1	1.1	1530	7650	6		
SSGE200ES-2RS	200	290	130	100	250	1.1	1.1	2120	10600	7		
SSGE220ES-2RS	220	320	135	100	275	1.1	1.1	2320	11600	8		
SSGE240ES-2RS	240	340	140	100	300	1.1	1.1	2550	12700	8		

GE..ES-2RS Series

SSGE260ES-2RS	260	370	150	110	325	1.1	1.1	3030	15190	7
SSGE280ES-2RS	280	400	155	120	350	1.1	1.1	3570	17850	6
SSGE300ES-2RS	300	430	165	120	375	1.1	1.1	3800	19100	7