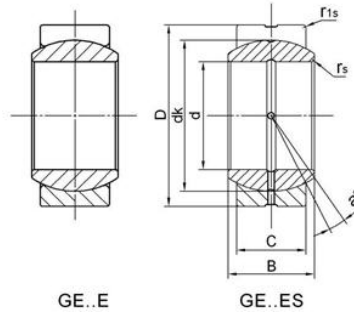


GE..E Series



select	Inquiry	Bearing Designation	Dimensions(mm)							Load Rating(KN)		Weight ≈Kg
			d	D	B	c	dk	rs	r1s min	Dynamic Load	Static Load	
SSGE4E	4	12	5	3	8	0.3	0.3	2	10	16		
SSGE5E	5	14	6	4	10	0.3	0.3	3.4	17	13		
SSGE6E	6	14	6	4	10	0.3	0.3	3.4	17	13		
SSGE8E	8	16	8	5	13	0.3	0.3	5.5	27	15		
SSGE10E	10	19	9	6	16	0.3	0.3	8.1	40	12		
SSGE12E	12	22	10	7	18	0.3	0.3	10	53	10		