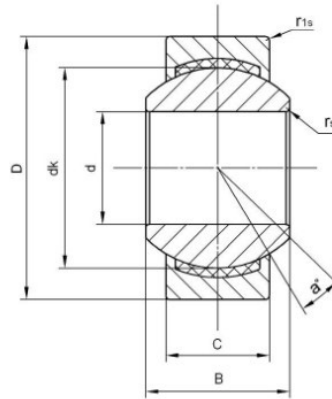


# GE..C Series



select	Inquiry	Bearing Designation	Dimensions(mm)							Load Rating(KN)		Weight ≈Kg
			d	D	B	c	dk	rs	r1s min	Dynamic Load	Static Load	
SSGE4C	4	12	5	3	8	0.3	0.3	2.1	5.4	16		
SSGE5C	5	14	6	4	10	0.3	0.3	3.6	9.1	13		
SSGE6C	6	14	6	4	10	0.3	0.3	3.6	9.1	13		
SSGE8C	8	16	8	5	13	0.3	0.3	5.8	14	15		
SSGE10C	10	19	9	6	16	0.3	0.3	8.6	21	12		
SSGE12C	12	22	10	7	18	0.3	0.3	11	28	10		
SSGE15C	15	26	12	9	22	0.3	0.3	18	45	8		
SSGE17C	17	30	14	10	25	0.3	0.3	22	56	10		
SSGE20C	20	35	16	12	29	0.3	0.3	31	78	9		
SSGE25C	25	42	20	16	35.5	0.6	0.6	51	127	7		
SSGE30C	30	47	22	18	40.7	0.6	0.6	65	166	6		