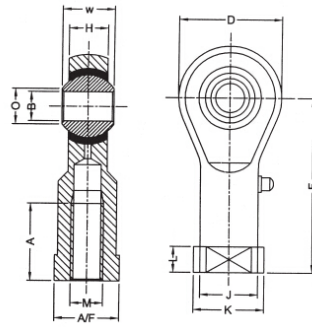


PHS Series



select Inquiry	Model Number	Main Dimensions (Mm)											Permit of Static load Weight			
		B	W	O	H	D	F	K	J	L	A/F	A	Thread M	α	Radial Angel (g)	
PHS 5 R/L H.	5	8	7.7	6	16	27	11	9	4	9	12	5X0.8	13	5.7	1.5	18
PHS 6 R/L H.	6	9	8.9	7	18	30	13	10	5	11	14	6X1.0	13	7	2	27
PHS 8F R/L H.	8	12	10.4	9	22	36	16	12.5	5	14	17	8X1.0	13	11.6	3.5	46
PHS 8 R/L H.	8	12	10.4	9	22	36	16	12.5	5	14	17	8X1.25	13	11.6	3.5	46
PHS 10F R/L H.	10	14	12.9	11	26	43	19	15	6.5	17	21	10X1.25	13	14.5	4.8	78
PHS 10 R/L H.	10	14	12.9	11	26	43	19	15	6.5	17	21	10X1.5	13	14.5	4.8	78
PHS 12F R/L H.	12	16	15.4	12	30	50	22	17.5	6.5	19	24	12X1.25	13	17	6.5	115
PHS 12 R/L H.	12	16	15.4	12	30	50	22	17.5	6.5	19	24	12X1.75	13	17	6.5	115
PHS 14F R/L H.	14	19	16.8	14	34	57	25	20	8	21	27	14X1.5	15	24	8.2	170
PHS 14 R/L H.	14	19	16.8	14	34	57	25	20	8	21	27	14X2.0	15	24	8.2	170

PHS Series

PHS 16F R/L H.	16	21	19.3	15	38	64	27	22	8	22	33	16X1.5	15	28.5	10	230
PHS 16 R/L H.	16	21	19.3	15	38	64	27	22	8	22	33	16X2.0	15	28.5	10	230
PHS 18 R/L H.	18	23	21.8	17	42	71	31	25	10	27	36	18X1.5	15	35	12.5	320
PHS 20 R/L H.	20	25	24.3	18	46	77	34	27.5	10	30	40	20X1.5	15	40	15	420
PHS 22 R/L H.	22	28	25.8	20	50	84	37	30	12	32	43	22X1.5	15	52	18	540
PHS 25 R/L H.	25	31	29.6	22	56	94	42	33.5	12	48	48	24X2.0	15	60	23	750
PHS 30 R/L H.	30	37	34.8	26	67	110	50	40	15	56	56	30X2.0	15	81	30	1130