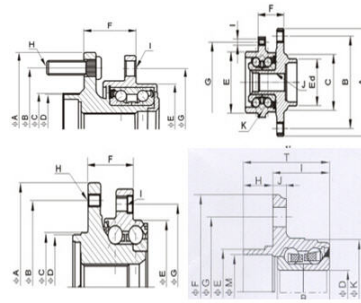


# Hub Unit Bearing



select	Inquiry	Type	Bearing		Basic Dimension										Bolt Size	Hole Dia	Application
			No		d	F	B	E1	E2	M	G	K	I	H			
1DACF6-100/555	TGB12095S43	25	132.5	43	60	65.9	54	100	--	55.6	19.5	13	--	4*M12*1.5	Renault		
1DACF6-100/555-I	TGB12095S49	25	132.5	43	60	65.9	54	100	75.5	61.8	19.5	12.5	--	4*M12*1.5	Renault		
1DACF4-100/515	512025	27	125	51.5	59	67.9	52	100	69	51.5	15	9	4*M12*1.25	--	NISSAN		
1DACF5-100/445	801191(G1)	28	120	42	57	65	52	100	--	44.5	11.5	20	--	4*M12*1.75	VW		
1DACF6-98/44	DACF1083CR	30	117	37	57.9	58.9	47	98	--	44.8	16.92	12	--	4*M12*1.25	FIAT		
1DACF6-98/44-I	633622-1	30	116	37	58	59	47	98	--	47	16.8	12	--	4*M12*1.25	FIAT		
1DACF6-98/44-II	BAFB633807D	30	117	37	57.9	58.9	51.8	98	66.8	44.8	16.92	12	--	4*M12*1.25	FIAT		
1DACF6-98/44-III	DACF1083CR-1	30	117	37	57.9	58.9	46.85	98	--	44.8	16.92	11	--	4*M12*1.25	FIAT		
1DACF6-98/44-IV	633622	30	117	37	57.9	58.9	51.9	98	--	44.8	16.92	10.5	--	4*M12*1.25	FIAT		
1DACF6-98/44-V	633622-2	30	116	37	58	59	46.8	98	--	45	19.5	11.2	--	4*M12*1.25	FIAT		
1DACF6-98/44-VI	633622-3	30	116	37	58	59	46.8	98	--	45	19.5	11.2	--	4*M12*1.25	FIAT		
1DACF6-100/562	513030	30	122	47	54	55	48	100	65	56.2	19.5	12.5	4*M12*1.5	--	FORD		
1DACF6-108/436	IR-8688	32	129	38	65	71	60	108	--	43.6	17	12	--	4*M12*1.25	Renault		
2DACF5-100/425	803199A	25	120	37	57	65	52	100	61	42.5	19	10	--	4*M12*1.5	VW		
2DACF4-108/42-1	TKR8578	25	128	34	64.9	71	60	108	--	42	16	12.5	4*M12*1.25	--	Peugeot,Citroen		
2DACF6-100/545	TKR8569	25	132.5	43	60	65.9	54	100	--	54.5	19.5	11.5	--	4*M12*1.5	--		
2DACF8-100/495-II	HUB002	25	134	40	56	61	51	100/93.5	60	49.5	11.5	9	4*M12*1.5	--	HONDA		
2DACF7-108/54	TGB12096S41	25	133	43	60	66	54.2	108/105	--	54	13	19.2	--	5*M12*1.5	Renault		
2DACF4-100/45	HUB048-35ABS	27	134	40	59	61	50	100	62	45	15	11	4*M12*1.25	--	VW		
2DACF4-100/526	HUB184	27	134	50	58.9	68	52	100	64.05	52.5	15	11	4*M12*1.25	--	NISSAN		
2DACF4-100/526-I	HUB184ABS	27	134	50	58.9	68	52	100	64.05	52.5	15	11	4*M12*1.25	--	NISSAN		
2DACF4-1143/526	(N16)HUB184	27	148	50	65.9	67.9	59	114.3	64	52.5	15.5	11.5	4*M12*1.25	--	NISSAN		
2DACF4-1143/526-I	(N16)HUB184ABS	27	148	50	65.9	67.9	59	114.3	64	52.5	15.5	11.5	4*M12*1.25	--	NISSAN		
2DACF4-1143/574	27BWK03	27	148	55	66	68	52	114.3	60	57.4	15.6	11.7	4*M12*1.25	--	NISSAN		
2DACF4-100/495	35016	28	120	40	60	--	47	100	63	49.5	6	9	4*M12*1.25	--	长安之星		
2DACF4-100/495-I	28BWK15	28	120	40	60	--	47	100	63	49.5	6	9	4*M12*1.25	--	SUZUKI		
2DACF4-100/505	57210-25000	28	140	38	54	62.5	47.7	100	70	50.5	14	10	4*M12*1.5	--	HYUNDAI		
2DACF4-100/505-I	57210-25100	28	140	38	54	62.5	47.7	100	70	50.5	14	10	4*M12*1.5	--	HYUNDAI		
2DACF4-100/565	DACF1050B	28	125.5	48	56	64	49.7	100	67.3	56.5	14	10	4*M12*1.5	--	Mitsubishi		
2DACF5-100/59	512154	28	135.4	47	56.8	57.3	51.3	100	66	59	11.7	7.8	5*M12*1.5	--	CHRYSLER		