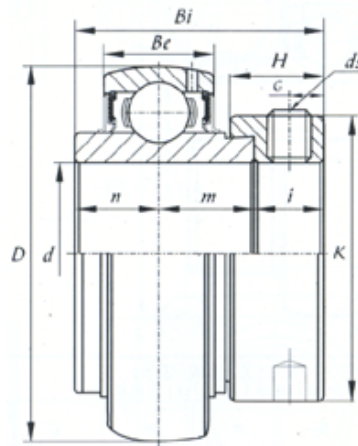


NA Series



select	Inquiry	Bearing No.	d		Dimensions [mm]										Basic Load Rating (kN)	
			(mm)	(in.)	D	Be	Bi	B1	n	K	H	G	ds	Dynamic	Static	
NA203	17		40	14	37.3	27.8	13.9	28.6	13.5	5	M6x1	900	500			
NA203-11	17.463	11/16	40	14	37.3	27.8	13.9	28.6	13.5	5	1/4-28UNF	900	500			
NA204-12	19.05	3/4	47	17	43.7	34.2	17.1	33.3	13.5	5	1/4-28UNF	1250	650			
NA204	20		47	17	43.7	34.2	17.1	33.3	13.5	5	M6x1	1250	650			
NA205-14	22.225	7/8	52	17	44.4	35	17.5	38.1	13.5	5	1/4-28UNF	1400	750			
NA205-15	23.813	15/16	52	17	44.4	35	17.5	38.1	13.5	5	1/4-28UNF	1400	750			
NA205	25		52	17	44.4	35	17.5	38.1	13.5	5	M6x1	1400	750			
NA205-16	25.4	1	52	17	44.4	35	17.5	38.1	13.5	5	1/4-28UNF	1400	750			
NA206-18	28.575	1 1/8	62	19	48.4	36.6	18.3	44.5	15.9	6	5/16-24UNF	1900	1100			
NA206	30		62	19	48.4	36.6	18.3	44.5	15.9	6	M8x1	1900	1100			
NA206-19	30.163	1 3/16	62	19	48.4	36.6	18.3	44.5	15.9	6	5/16-24UNF	1900	1100			
NA206-20	31.75	1 1/4	62	19	48.4	36.6	18.3	44.5	15.9	6	5/16-24UNF	1900	1100			
NA207-20	31.75	1 1/4	72	20	51.1	37.6	18.8	55.6	17.5	6.5	5/16-24UNF	2550	1500			
NA207-22	34.925	1 3/8	72	20	51.1	37.6	18.8	55.6	17.5	6.5	5/16-24UNF	2550	1500			
NA207	35		72	20	51.1	37.6	18.8	55.6	17.5	6.5	M8x1	2550	1500			
NA207-23	36.513	1 7/16	72	20	51.1	37.6	18.8	55.6	17.5	6.5	5/16-24UNF	2550	1500			
NA208-24	38.1	1 1/2	80	21	56.3	42.8	21.4	60.3	18.3	6.5	5/16-24UNF	2950	1800			
NA208-25	39.688	1 9/16	80	21	56.3	42.8	21.4	60.3	18.3	6.5	5/16-24UNF	2950	1800			
NA208	40		80	21	56.3	42.8	21.4	60.3	18.3	6.5	M8x1	2950	1800			
NA209-26	41.275	1 5/8	85	22	56.3	42.8	21.4	63.5	18.3	6.5	5/16-24UNF	3180	2050			
NA209-27	42.863	1 11/16	85	22	56.3	42.8	21.4	63.5	18.3	6.5	5/16-24UNF	3180	2050			
NA209-28	44.45	1 3/4	85	22	56.3	42.8	21.4	63.5	18.3	6.5	5/16-24UNF	3180	2050			
NA209	45		85	22	56.3	42.8	21.4	63.5	18.3	6.5	M8x1	3180	2050			

NA Series

NA210-31	49.213	$\frac{1}{15/16}$	90	24	62.7	49.2	24.6	69.9	18.3	6.5	5/16-24UNF	3500	2300
NA210	50		90	24	62.7	49.2	24.6	69.9	18.3	6.5	M8x1	3500	2300
NA210-32	50.8	2	90	24	62.7	49.2	24.6	69.9	18.3	6.5	5/16-24UNF	3500	2300
NA211-32	50.8	2	100	25	71.4	55.6	27.8	76.2	20.7	8	3/8-24UNF	4350	2900
NA211	55		100	25	71.4	55.6	27.8	76.2	20.7	8	M10x1.25	4350	2900
NA211-35	55.563	$2 \frac{3}{16}$	100	25	71.4	55.6	27.8	76.2	20.7	8	3/8-24UNF	4350	2900
NA212-36	57.15	$2 \frac{1}{4}$	110	27	77.8	62	31	84.2	22.3	8	3/8-24UNF	4750	3250