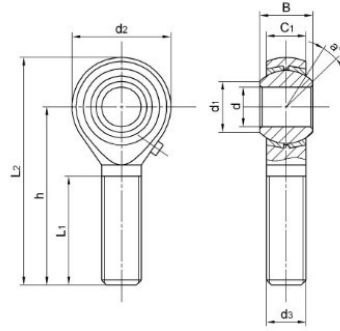


SPOS Series



尺寸mm

额定负载 (KN) 重量
球直径 静态负载 ≈Kg

select Inquiry 型号

	d	H7	B	C1	d1	d2	d3-6g	h	L1	L2	球直径	额定负载 (KN)	重量 ≈Kg
SPOS5	5	8	6	7.7	M5	33	20	41	11.11	2.5	3.5	0.012	
SPOS6	6	9	6.75	8.9	M6	36	22	45	12.7	3.2	4.8	0.019	
SPOS8	8	12	9	10.3	M8	42	25	53	15.87	5.4	8.9	0.032	
SPOS10	10	14	10.5	12.9	M10	48	29	61	19.05	7.5	12.5	0.054	
SPOS12	12	16	12	15.4	M12	54	33	69	22.22	10	15.8	0.085	
SPOS14	14	19	13.5	16.8	M14	60	36	77	25.4	13	22.1	0.126	
SPOS15	15	20	14	18.1	M14	63	38	81	26.98	14.5	23.6	0.186	
SPOS16	16	21	15	19.3	M16	66	40	85	28.58	16	25.9	0.185	
SPOS17	17	22	16	20.6	M16x1.5	69	42	89	30.16	18	28.4	0.259	
SPOS18	18	23	16.5	21.8	M18X1.5	72	44	93	31.75	19.5	30.8	0.26	
SPOS20	20	25	18	24.3	M20X1.5	78	47	101	34.925	23	36.2	0.34	
SPOS22	22	28	20	25.8	M22X1.5	84	51	109	38.1	29	42.6	0.435	
SPOS25	25	31	22	29.5	M24x2	94	57	124	42.86	40.5	74.4	0.65	
SPOS28	28	35	24	32.29	M27x2	103	62	136	47.63	46.1	88.7	0.875	
SPOS30	30	37	25	34.8	M30x2	110	66	145	50.8	54.3	94	1.07	